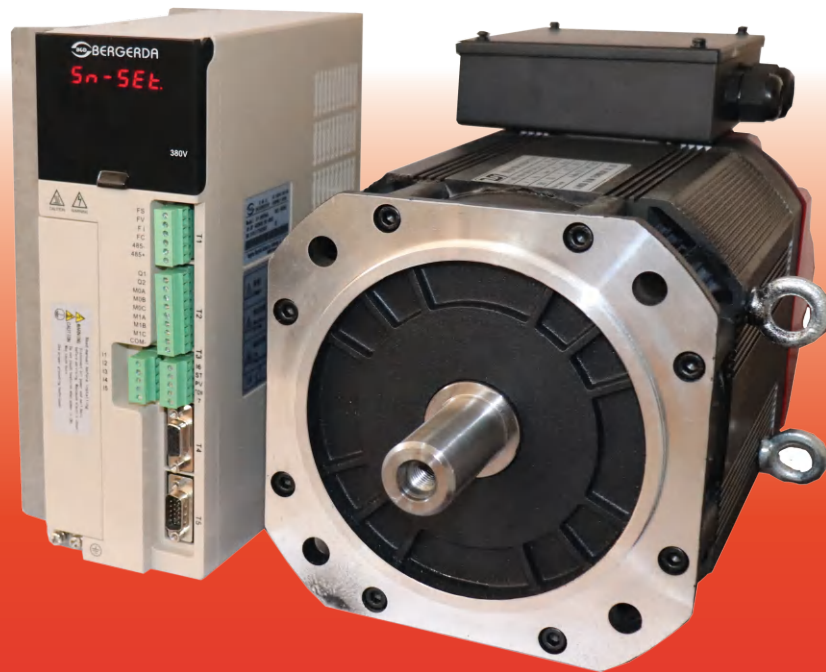


Bergerda AC asynchronous servo system catalogue



- AC servo
- Stepping drive motor
- Induction asynchronous servo
- Linear motor drive
- Industry-specific servo
- Control product integration customization

Serving customers and adding value to customers

Company Profile

Hangzhou Bergerda Automation Technology Co., Ltd. is located in a beautiful paradise on earth - Hangzhou, China. It is a high-tech enterprise that provides global customers with servo, stepping, frequency conversion, brushless motor drive control products, and industrial drive control solutions. Excellence in product development, efficient and high-quality production, enthusiastic and caring service. Always take the customer's needs as its responsibility.

Bergerda's motor control products include AC servo drives and servo motors, stepping drives and stepping motors, inductive asynchronous servo drives and motors, linear motor DD motors and drives, and custom control solutions for all types of industries. Widely used in textile packaging, CNC machine tools, printing, embroidery, sculpture, advertising, laser, electronics and other automated machinery. At present, there are twelve types of stepping systems, including three series of B series, D series and E series, nearly 30 kinds of specifications servo systems, NS digital series and LS closed loop series. S series induction asynchronous servo, L series linear motor servo and DD motor drive. T-series CNC turret-dedicated servos and P-series plastic machinery-specific servos and so on which include control and control integrated industrial solutions. We have become a professional company with a complete product line in Chinese motion control industry. Perfect pre-sale, sales, after-sales service, from customer design machine selection, equipment debugging, post-maintenance, always with patience, enthusiasm, professional service to return customers.

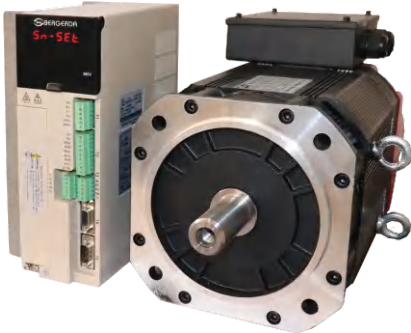
The company fully implements the concept of "professional, quality, and service". With high-tech products, excellent quality, and high-quality services, customers can be assured of their ease of use, adding value to customers and realizing the long-term development of the company.

Based in the domestic market, Bergerda has established sales and service networks in Zhejiang, Jiangsu, Guangdong, Fujian, Shandong, Hunan and Guangxi. In foreign markets, products are exported to the United States, Brazil, Colombia, Russia and other countries and regions.



Induction asynchronous servo

Series features



- ◇ Matching Incremental, Supports External Second Encoder Control Positioning
- ◇ The maximum speed of 8000 rpm, 8000 speed can be achieved at any angle precise positioning
- ◇ Rigid tapping, external switch direct positioning
- ◇ Concise display operation panel, supporting PC debugging software for customer debugging and diagnosis
- ◇ With RS485 communication function, low-cost communication can be realized
- ◇ Book-type structure, compared with the appearance of the traditional inverter style, it save more space in the cabinet, more atmosphere.

Application

S series induction asynchronous servo drives have features of high power and high torque. And can achieve High speed, high acceleration performance . With a wide range of tapping, orientation, clamping, reduction ratio, analog control, internal speed control and other functions

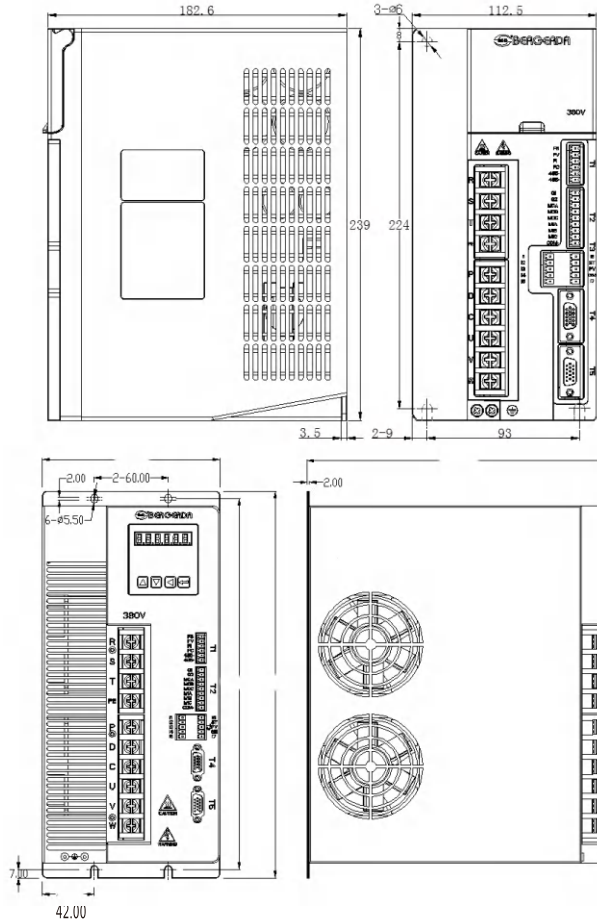
Application industry

CNC milling machine, CNC lathe, vertical and horizontal machining center, drilling and tapping center, engraving and milling machine, hobbing machine, CNC boring machine, turning and milling complex machining center, replacing the high-end applications of the inverter

Specification sheet for order

Drive model	motor model	Rated torque N.m	Max speed rpm	rated power KW	Rated current A	Asynchronous servo motorID (PA1 parameter)	
S2-H2P2AA	AMM-165AH022AAA	14.0	6000	2.2	4.9	0	
S2-H3P7AA	AMM-165AH037AAA	23.5	6000	3.7	7.8	1	
S2-H3P7AA	AMM-204AH037AAA	23.5	6000	3.7	9.1	2	
S2-H5P5AA	AMM-204AH055AAA	35.0	6000	5.5	13.0	3	
S2-H7P5AA	AMM-204AH075AAA	47.8	6000	7.5	17.8	4	
S2-H11P0AA	AMM-265AH110AAA	70.0	6000	11.0	21.5	5	
S2-H15P0AA	AMM-265AH150AAA	96.0	6000	15.0	29.0	6	
S2-H2P2AA	AMZ-165AH022AAA	14.0	6000	2.2	5.1	18	
S2-H3P7AA	AMZ-165AH037AAA	23.6	6000	3.7	8.2	19	
S2-H2P2AA	AMZ-180AH022AAA	14.0	6000	2.2	4.8	20	
	AMZ-180AH022AAB	10.5	8000	2.2	4.6	21	
S2-H4P0AA	AMZ-180AH040AAA	25.5	6000	4.0	8.2	22	
	AMZ-180AH040AAB	19.0	8000	4.0	8.0	23	
S2-H5P5AA	AMZ-200AH055AAA	35.0	6000	5.5	11.4	24	
	AMZ-200AH055AAB	26.0	8000	5.5	11.1	25	
S2-H7P5AA	AMZ-200AH075AAA	48.0	6000	7.5	15.3	26	26
	AMZ-200AH075AAB	36.0	8000	7.5	15.0	27	27
S2-H11P0AA	AMZ-200AH110AAA	70.0	6000	11.0	22.2		28
	AMZ-200AH110AAB	52.5	8000	11.0	22.0		29
	AMZ-264AH110AAA	70.0	4500	11.0	21.6		30
S2-H15P0AA	AMZ-264AH150AAA	96.0	4500	15.0	29.1		31

Installation size



2.2/4.0/5.5/7.5KW

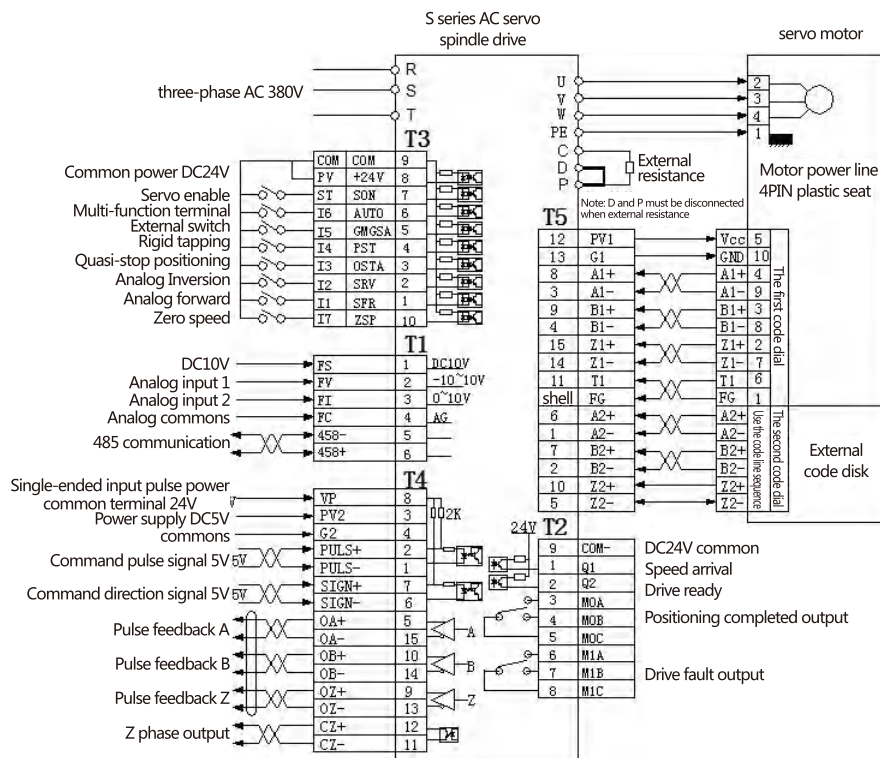
Weight: 4kg

11/15KW

11KW weight: 4.35kg

15KW weight: 6.8kg

Typical application wiring diagram



Asynchronous motor installation dimension drawing

Horizontal installation

cabin seat no	L	L1	L2	N
2.2KW	335	95	112	6
3.7KW	365	140	159	6

Vertical installation

cabin seat no	L
2.2KW	335
3.7KW	365

Horizontal installation

cabin seat no	L	L1
2.2KW	334	65
4.0KW	369	100

Vertical installation

cabin seat no	L
2.2KW	334
4.0KW	369

Horizontal installation

cabin seat no	L	L1
5.5KW	405	139
7.5KW	455	189

Vertical installation

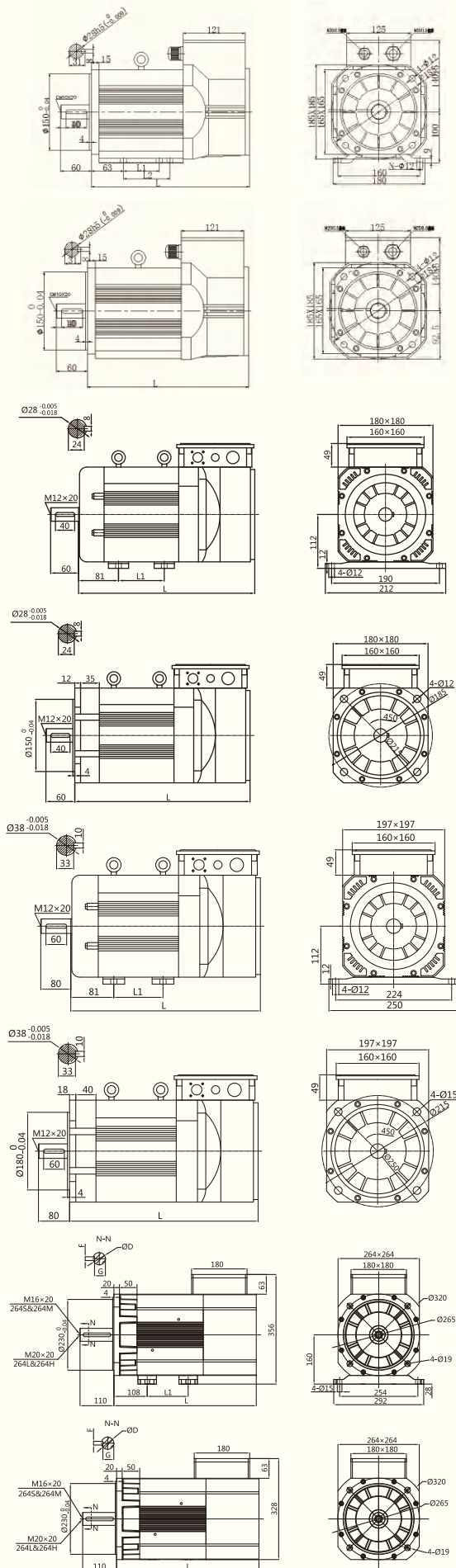
cabin seat no	L
5.5KW	405
7.5KW	455

Horizontal installation

cabin seat no	L	L1	D	F	G
11KW	462	133	42 ^{-0.005} _{-0.018}	12	37
15KW	490	173	42 ^{-0.005} _{-0.018}	12	37

Vertical installation

cabin seat no	L	D	F	G
11KW	462	42 ^{-0.005} _{-0.018}	12	37
15KW	490	42 ^{-0.005} _{-0.018}	12	37



COMMITTED TO MACHINE INTELLIGENCE, FOCUS MOTOR CONTROL



BERGERDA Hangzhou Bergerda Automation technology co., LTD

Address: 4F, Building 8, No. 493, Linping Avenue, Economic and Technological Development Zone,
Liping District, Hangzhou, Zhejiang, China

Sale : 0086-571-88326782 Technical : 0086-571-88645851 Fax : 0086-571-89719501

Mail : market@bergerda.com web : www.bergerda.com Post Code : 310030

India Office • Brazil Office • Ecuador Office • Mexico Office • Spain Office • Poland Office